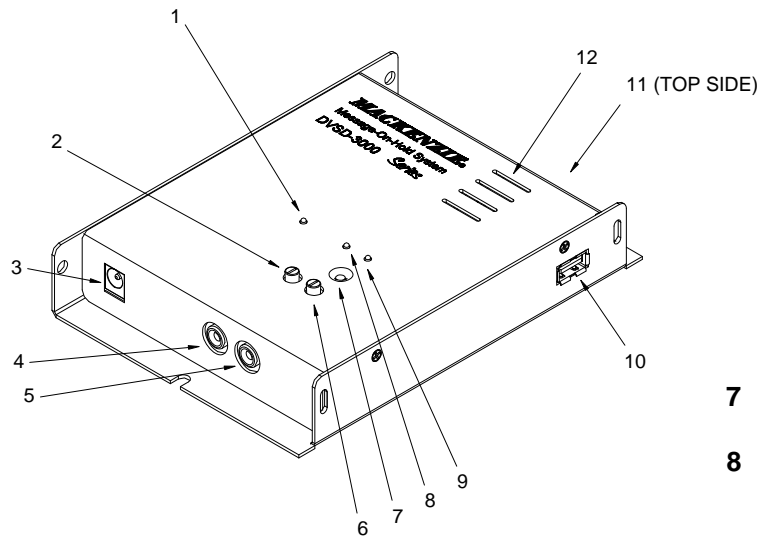


**Model DVSD-3000
MESSAGE-ON-HOLD SYSTEM**

- 1 MEMORY OK LED (GREEN):**
LED is ON if either an SD Card or a USB memory key with valid audio messages is detected by the system. Blinks if no files are detected.
- 2 TONE ADJUST KNOB:**
Adjusts the Bass & Treble amount to deliver the best overall system performance.
- 3 POWER JACK:**
Insert supplied power adapter.
- 4 LINE OUTPUT:**
Audio output level of up to +4dB into 600 Ω, this is a standard level for most applications.
- 5 SPEAKER OUTPUT:**
Audio output level of up to 2.5W into 8 Ohm. Use this output if more drive is needed to reach a more comfortable listening level.
- 6 AUDIO OUTPUT LEVEL KNOB:**
Adjusts the volume to the both line level and speaker audio outputs.



COPYRIGHT POLICY

Recording, downloading or playing of copyrighted material such as sound effects, narration or music is unlawful unless permitted by a legal exception or consented to by the rights owner. Recording and download equipment should only be used with material that you have the legal right to copy and you are responsible for obtaining these rights, Mackenzie Laboratories, Inc. has no right to grant such permission.

- 7 SPEAKER PUSHBUTTON:**
Turns local Monitor speaker ON/OFF.
- 8 COPYING LED (RED):**
Used to display recording mode. Red light ON, indicates message (s) is being copied from USB memory key to SD Card.
- 9 PLAYING LED (GREEN):**
This green LED is ON when the system is playing Pre-Recorded messages.
- 10 USB MEMORY KEY CONNECTOR:**
Audio files can be played directly from a USB memory key, or the files on it can be copied to an SD card, if one is present.
- 11 SD CARD CONNECTOR:**
Audio files be played directly from an SD card
- 12 MONITOR SPEAKER:**
Allows user to preview message play back.

**THE MACKENZIE DYNAVox
DVSD-3000 Quikey**

03 Mar 2008, Version 1.0
Mackenzie Laboratories, Inc.
1163 Nicole CT, Glendora, CA 91740 USA
TEL (909) 394-9007 FAX (909)394-9411
www.macklabs.com