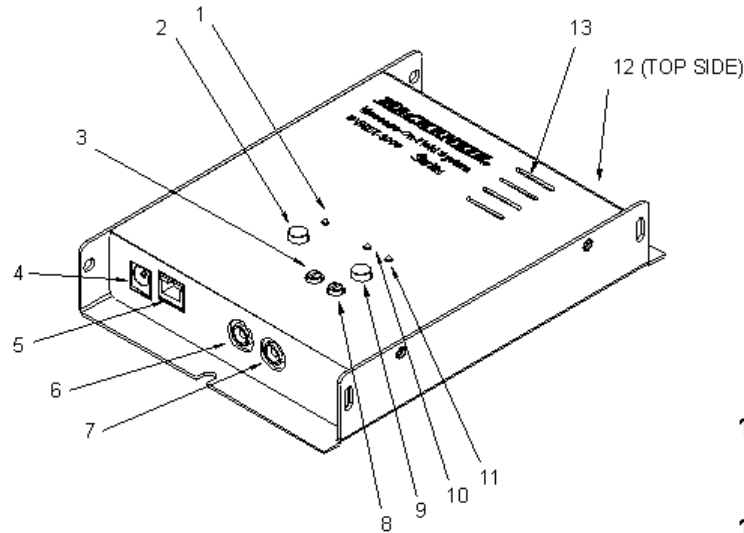


**Model DVNET-3000  
MESSAGE-ON-HOLD SYSTEM**

- 1 MEMORY OK LED (GREEN):**  
LED is ON if an SD Card key with valid audio messages is detected by the system. Blinks if no files are detected.
- 2 CONNECT PUSHBUTTON:**  
Used to instruct the unit to connect to Server.
- 3 TONE ADJUST KNOB:**  
Adjusts the Bass & Treble amount to deliver the best overall system performance.
- 4 POWER JACK:**  
Insert supplied power adapter.
- 5 ETHERNET CONNECTOR**  
Attach to local area network with internet access.
- 6 LINE OUTPUT:**  
Audio output level of up to +4dB into 600  $\Omega$ , this is a standard level for most applications.
- 7 SPEAKER OUTPUT:**  
Audio output level of up to 2.5W into 8 Ohm. Use this output if more drive is needed to reach a more comfortable listening level.



**COPYRIGHT POLICY**  
Recording, downloading or playing of copyrighted material such as sound effects, narration or music is unlawful unless permitted by a legal exception or consented to by the rights owner. Recording and download equipment should only be used with material that you have the legal right to copy and you are responsible for obtaining these rights. Mackenzie Laboratories, Inc. has no right to grant such permission.

- 8 AUDIO OUTPUT LEVEL KNOB:**  
Adjusts the volume to the both line level and speaker audio outputs.
- 9 SPEAKER PUSHBUTTON:**  
Turns local Monitor speaker ON/OFF.
- 10 CONNECTED LED YELLOW:**  
Indicates that unit is connected to the server.
- 11 PLAYING LED (GREEN):**  
This green LED is ON when the system is playing Pre-Recorded messages.
- 12 SD CARD CONNECTOR:**  
Audio files are played directly from an SD card
- 13 MONITOR SPEAKER:**  
Allows user to preview message playback.

**THE MACKENZIE DYNVOX  
DVNET-3000 Quikey**

06 Jun 2008, Version 1.0  
Mackenzie Laboratories, Inc.  
1163 Nicole CT, Glendora, CA 91740 USA  
TEL (909) 394-9007 FAX (909) 394-9411  
[www.macklabs.com](http://www.macklabs.com)